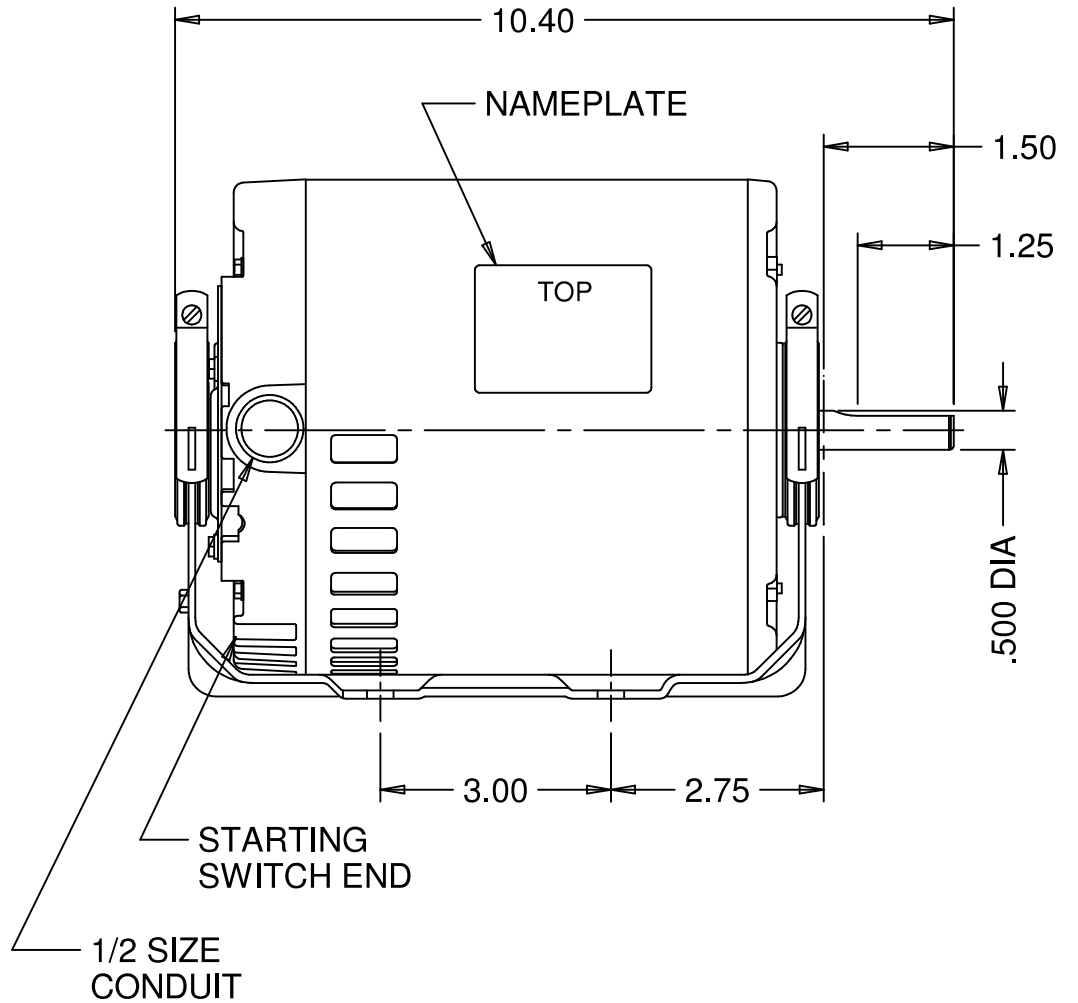
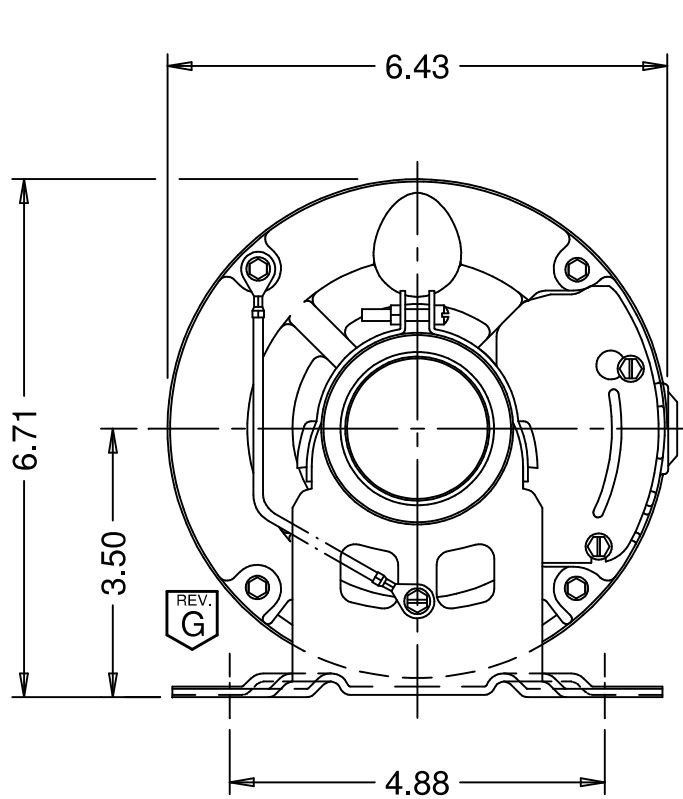




Catalog #: 5794C

Model Number:	S063JCK7449724B
PRODUCT NAME:	.5 HP - ODP - 1725
PHASETYPE:	1_SPLIT PHASE
MOTOR ENCLOSURE:	ODP
HORSEPOWER:	.5
HORSEPOWER 2:	0.167
KILOWATTS:	0.4
POLES:	4
POLES 2:	6
NUMBER SPEEDS:	2
RPM:	1725
RPM 2:	1140
HERTZ:	60
VOLTS PRIMARY:	115 V
VOLTS :	115
FRME :	56
SHAFT CODE:	Z
STATOR DIAMETER:	6.3
STACK:	2
MOUNTING:	CRADLE
MOTOR TYPE:	000
OPPOSITE END BEARING:	BALL
SHAFT END BEARING:	BALL
AMBIENT:	40
ROTATION:	REVERSIBLE
SERVICE FACTOR:	1
SHIPPING WEIGHT:	25
THERMAL PROTECTION:	AUTOMATIC RESET
BREAKDOWN TORQUE:	68.05
BREAKDOWN TORQUE UOM:	OZFT
LOCKED ROTOR TORQUE:	34.26
LOCKED ROTOR TORQUE UOM:	OZFT
INSULATION CLASS:	B
KVA CODE LETTER:	N
LOCKED ROTOR AMPS:	44.75
NEMA NOMINAL EFFICIENCY:	58
FULL LOAD AMPS PRIMARY:	8.7/5.1
SERVICE FACTOR AMPS PRIMARY:	8.7/5.1



NIDEC MOTOR CORPORATION 13-Oct-17

MODEL	REF	CUSTOMER	HP	VOLTS	AMPS	HZ	RPM	ROTATION	CUSTOMER PN
S63CXJCK-7449	-	STANDARD	1/2-1/6	115	8.7/5.1	60	1725/1140	CW LEAD END REV	5794C

SHEET NUMBER	REV	REVISION RECORD FOR:
1 OF 1	G	ECO E29752
CHANGE DRAWING TO SHOW THAT THE GROUND WIRE IS ROUTED FROM INSIDE THE BASE		
REVISION DATE		
13-OCT-17		

INFORMATION DISCLOSED ON THIS DOCUMENT IS CONSIDERED PROPRIETARY AND SHALL NOT BE REPRODUCED OR DISCLOSED WITHOUT WRITTEN CONSENT OF NIDEC MOTOR CORPORATION

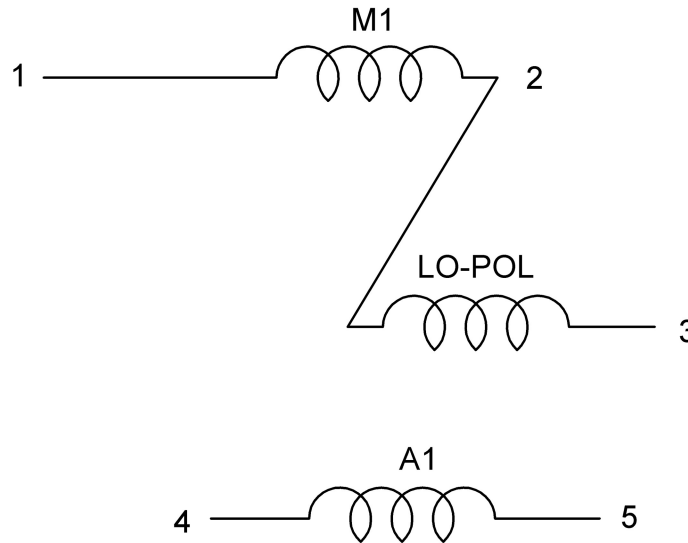
NIDEC MOTOR CORPORATION

ALL DIMENSIONS ARE FOR REFERENCE ONLY UNLESS TOLERANCE IS GIVEN

ISSUED BY	REVIEWED BY	ENGINEER APPROVED
J. ALVARADO	R. CRUZ	R. CRUZ

TITLE	CODE	ITEM NO.	SIZE
ASSEMBLED VIEW	V01	274399	A

D04 CONN POINT	CONNECTION COMBINATION	
	CCWLE	CWLE
01	ST-M1	ST-M1
02	FN-M1 FN-LO	FN-M1 FN-LO
03	ST-LO	ST-LO
04	ST-A1	FN-A1
05	FN-A1	ST-A1



"CANADIAN CONNECTION"

MULTI-POLE, REVERSIBLE, W/O ON-WDG. PROT.



REFER TO SEIM 24-1

REVISION DESCRIPTION FOR: C8396-04		SCALE	UNITS	TITLE		NIDEC MOTOR CORPORATION
UPDATED BACKGROUND FROM EMERSON TO NIDEC		NONE	INCHES	DIAGRAM OF CONNECTIONS		
MATERIAL:		TOLERANCES ON DIMENSIONS (UNLESS OTHERWISE SPECIFIED)		ISSUED BY	APPROVED BY	REVISION DATE
		INCHES	mm	R. GUZMAN	J.I. SALAZAR	24-SEP-13
MUST BE COMPLIANT TO RoHS DIRECTIVE EU 2002/95/IEC AND REGULATION EC 1907/2006 (REACH) AS AMENDED		.XX = ± .01		CODE	DWG NO.	REV
		.XXX = ± .005		D04	327219	A
		ANGLES X° = ±1°				SHEET NUMBER
						1 OF 1
						DWG SIZE
						A

Split Phase Belted Fan & Blower Open Drip Proof, NEMA[®]† 56 Frame, Single & Two Speed

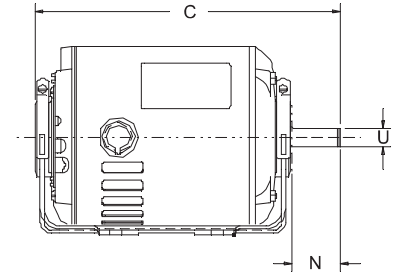


APPLICATIONS:

Designed to meet manufacturer's requirements for belted fans and blowers.

FEATURES:

- Resilient Base
- Class B Insulation Unless Otherwise Noted
- With Threaded Conduit Hole
- Reversible Rotation
- Automatic Reset Thermal Overload Protector
- **Discount Symbol: DS-3HAC**



Single Speed, NEMA[®]† 56 Frame

HP	RPM	Voltage	Catalog Number	List	Bearings	NEMA Frame	Amps	Shaft N"	"Shaft U"	Protector	"Total C"	SF	Ship Wt.	Notes
1/2	1725	115/230	4114	\$368	SAB	56	8.0/4.0	1.9	0.625	Auto	9.8	1.25	22	
3/4	1725	115/230	4115	\$387	SAB	56	11.2/5.6	1.9	0.625	Auto	9.8	1.25	24	

Two Speed, NEMA[®]† 56 Frame

HP	RPM	Voltage	Catalog Number	List	Bearings	NEMA Frame	Amps	"Shaft N"	"Shaft U"	Protector	"Total C"	SF	Ship Wt.	Notes
1/3	1725/1140	115	5793C	\$231	SAB	56Z	5.9/3.6	1.5	0.500	Auto	10.4	1.00	21	80
1/2	1725/1140	115	5794C	\$299	SAB	56Z	8.7/5.1	1.5	0.500	Auto	10.4	1.00	25	80
	1725/1140	115	4293	\$412	SAB	56	9.2/6.0	1.9	0.625	Auto	10.8	1.25	26	A
3/4	1725/1140	115	5795C	\$360	SAB	56	11.5/6.4	1.9	0.625	Auto	11.3	1.00	27	80

Note 80: Canadian Standard — Connected CCWLE (Reversible)

Note A: Class A Insulation